



MOUNTAIN HOME COLLECTION

 **SWISS MADE.**



FOLD DOWN


CARB COMPLIANT
CA 93120 Phase 2 compliant for Formaldehyde Emission

TSCA Title VI COMPLIANT
Laminate Flooring

ÉMISSIONS DANS L'AIR INTÉRIEUR*

A+
A+ A B C

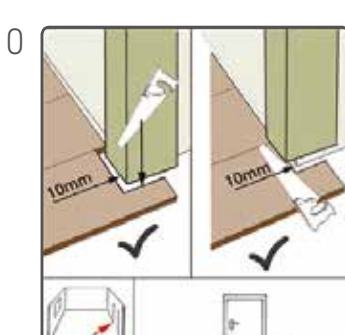
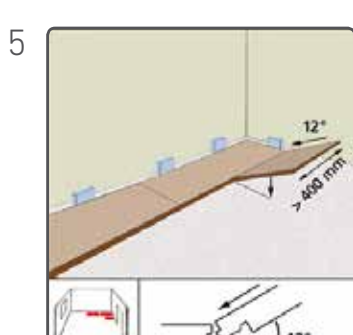
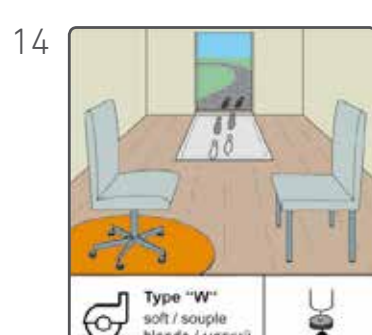
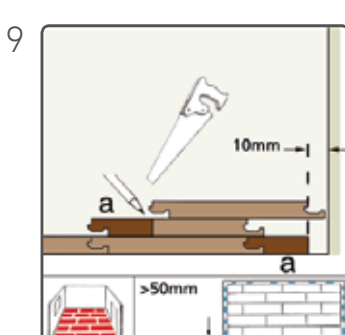
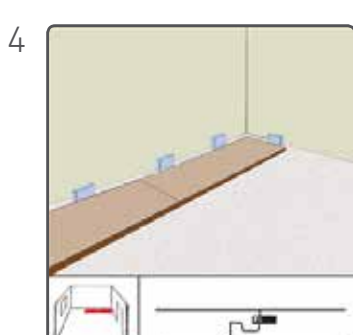
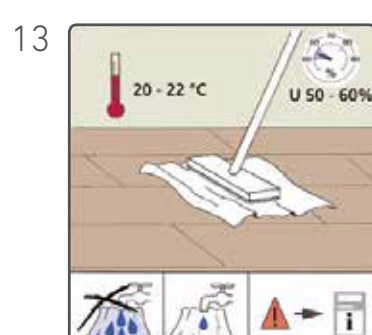
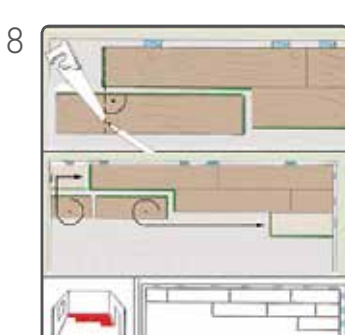
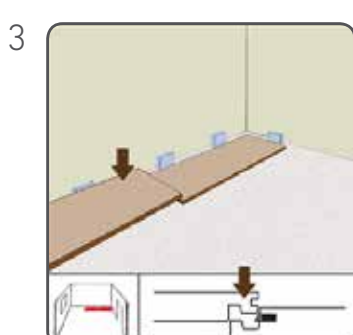
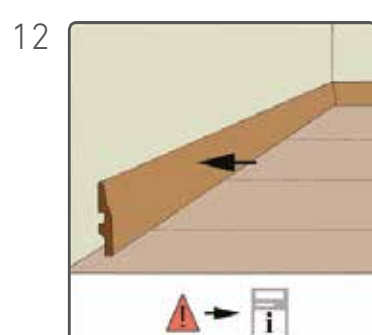
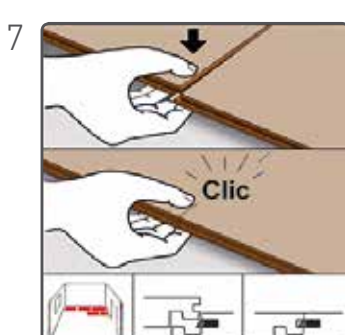
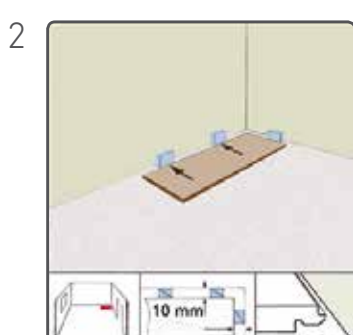
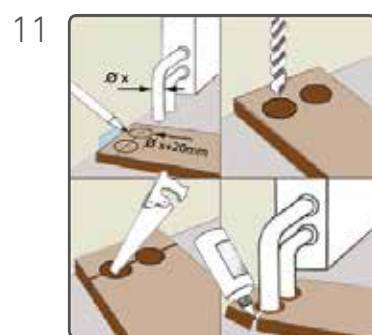
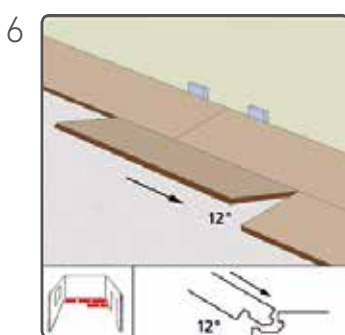
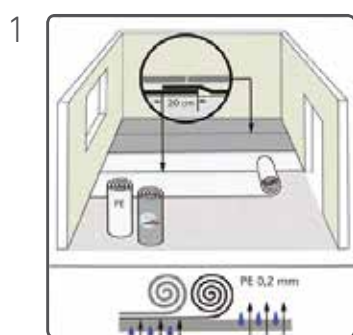
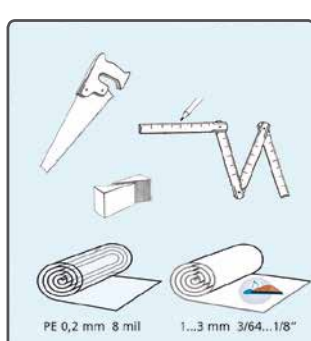
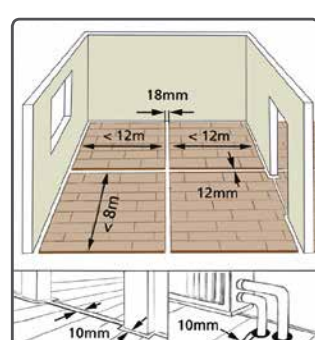
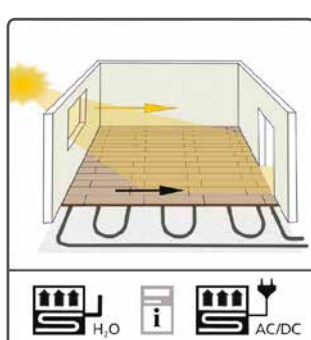
This laminate flooring was manufactured with MDF compliant with EPA TSCA Title VI and CARB ATCM 93120 Phase 2

 SWISS KRONO AG is required by California state law to provide the following "California Proposition 65" statement for the exclusive use of California residents and/or for sales in California.

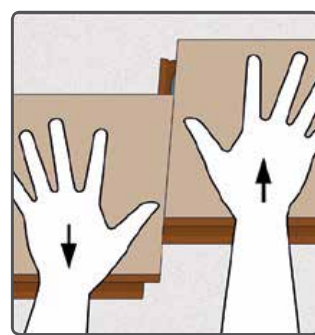
WARNING: Drilling, sawing, sanding, or machining wood products can expose you to wood dust, a substance known to the State of California to cause cancer. Avoid inhaling wood dust or use a dust mask or other safeguards for personal protection.
For more information go to www.P65Warnings.ca.gov/wood



INSTALLATION



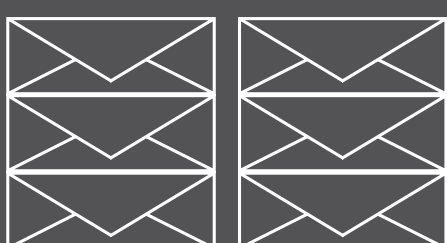
REMOVAL



AC5 / Cl. 33



produced and tested in compliance with EN 13329



48h
U < 70%
> 18° / 64°F

